



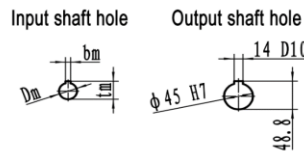
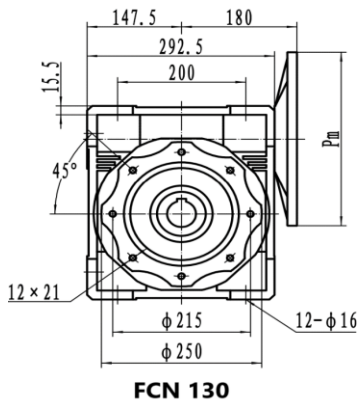
**DATOS MOTOR**

|                      |         |
|----------------------|---------|
| POTENCIA             | 5HP     |
| REVOLUCIONES         | 1760    |
| FRECUENCIA           | 60HZ    |
| TORQUE MOTOR NOMINAL | 20,7    |
| CARCASA (PAM)        | 112(B5) |
| TIPO BRIDA           | FF-215  |
| EFICIENCIA MOTOR     | IE 2    |

**DATOS REDUCTOR**

|                            |           |
|----------------------------|-----------|
| REFERENCIA                 | 550028    |
| TIPO                       | ORTOGONAL |
| MODELO                     | FCNDK     |
| MATERIAL                   | HIERRO    |
| CARCASA                    | 130       |
| RELACION DE TRANSMISION i: | 60        |
| VELOCIDAD SALIDA           | 29,33     |
| TORQUE MAXIMO              | 910       |
| TORQUE OPERACIÓN           | 894       |
| FACTOR DE SERVICIO         | 1,0       |

**PLANOS REDUCTOR**



|            | Pm  | Dm | bm | tm   |
|------------|-----|----|----|------|
| 90B5       | 200 | 24 | 8  | 27.3 |
| 90B14      | 140 |    |    |      |
| 100/112B5  | 250 | 28 | 8  | 31.3 |
| 100/112B14 | 160 |    |    |      |
| 132B5      | 300 | 38 | 10 | 41.3 |
| 132B14     | 200 |    |    |      |

